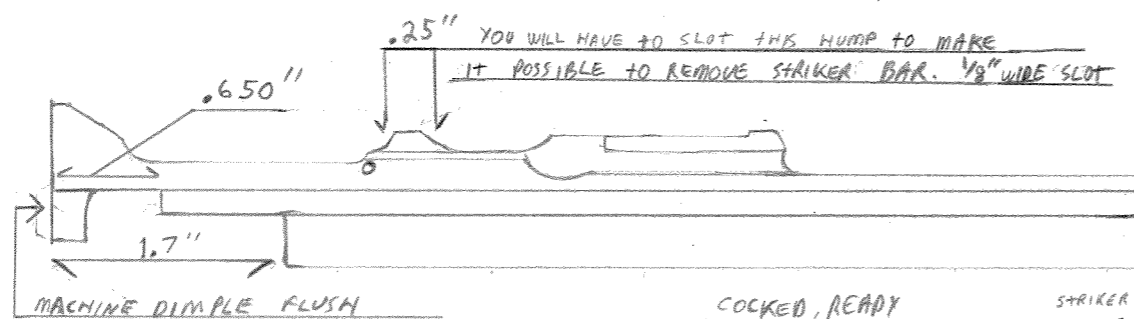
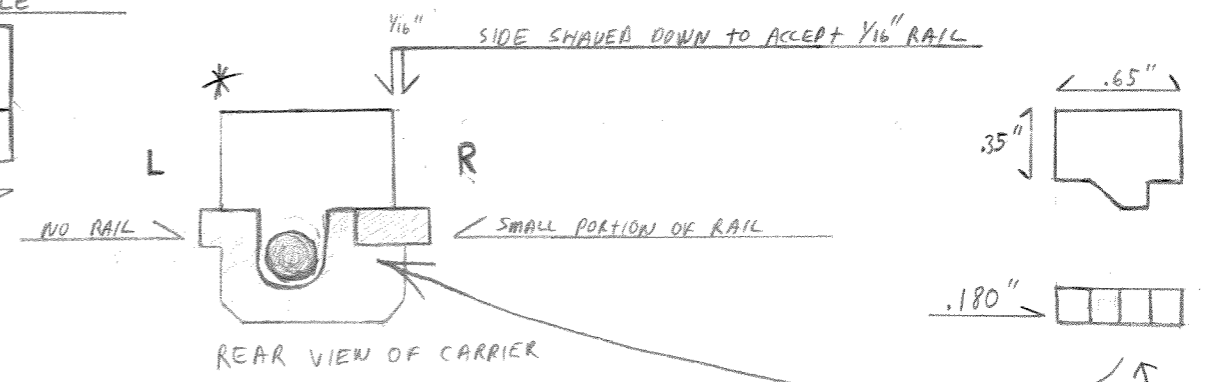
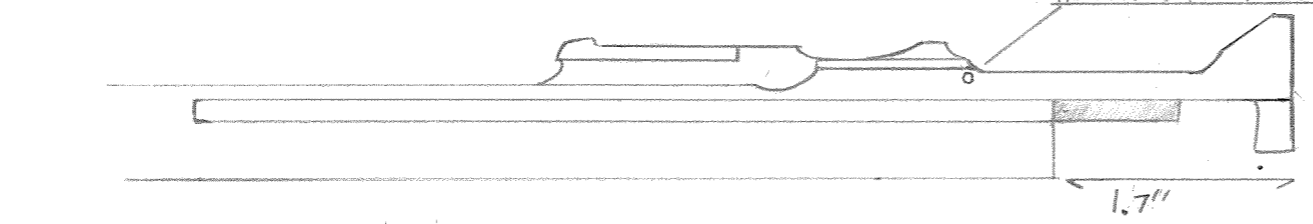
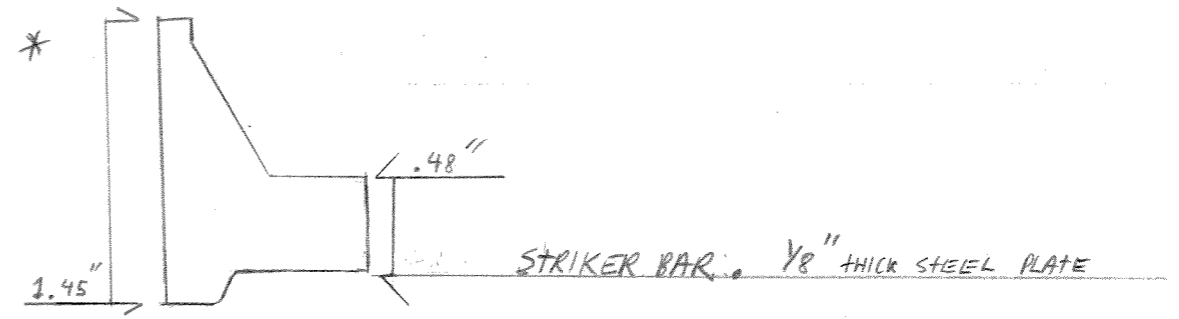
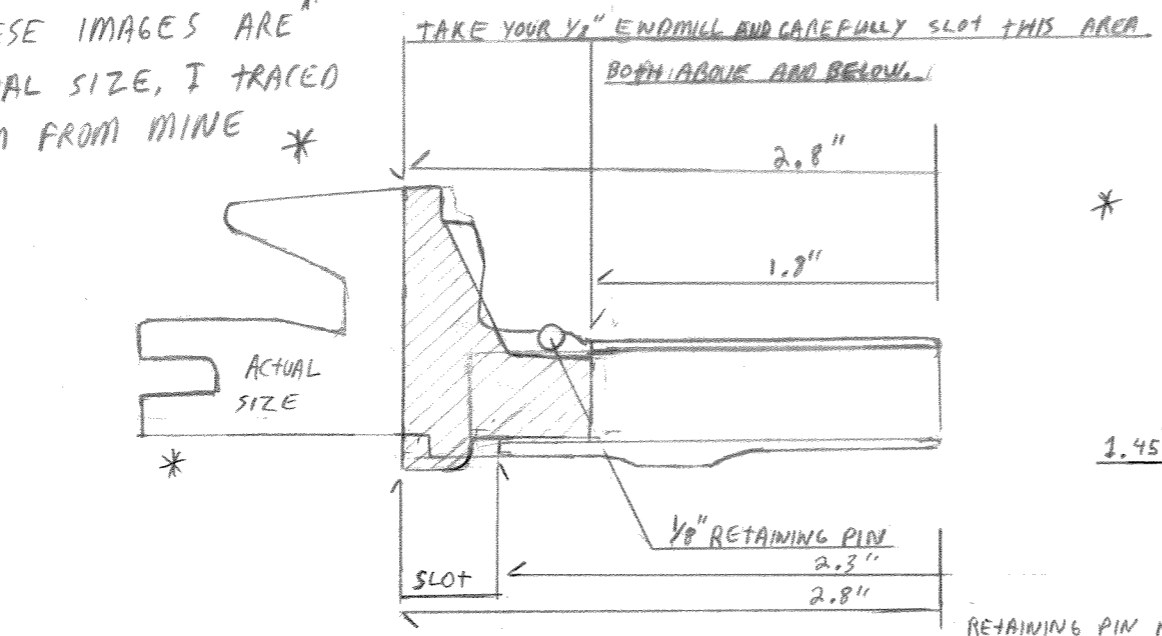
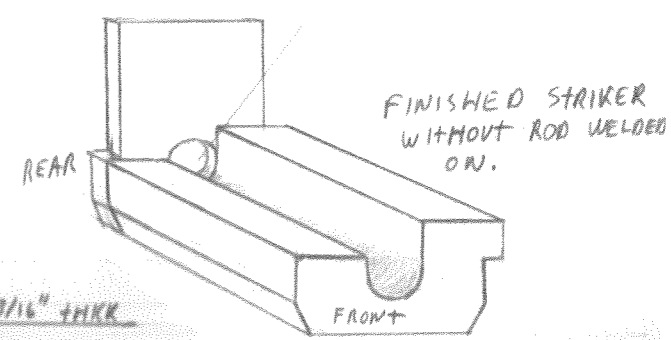
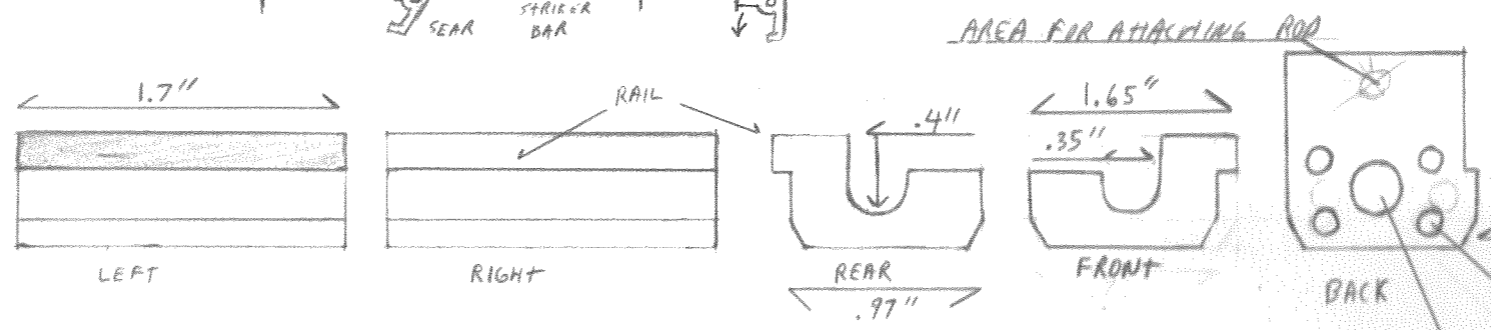
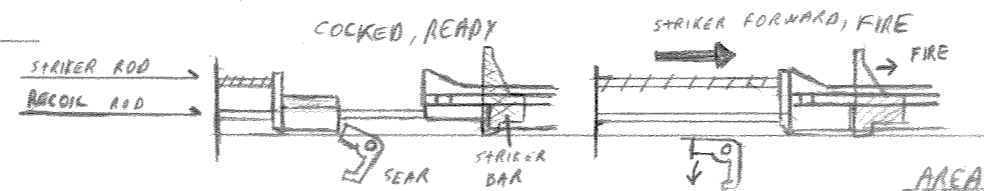


\* THESE IMAGES ARE \*  
 ACTUAL SIZE, I TRACED  
 THEM FROM MINE \*



THIS LITTLE BLOCK IS WELDED IN PLACE FOR THE CHARGE'S HANDLE



DRILL 4 HOLES TO SPOT WELD  
 TO THE REAR OF STRIKER

DRILL LARGE HOLE FOR RECOIL ROD